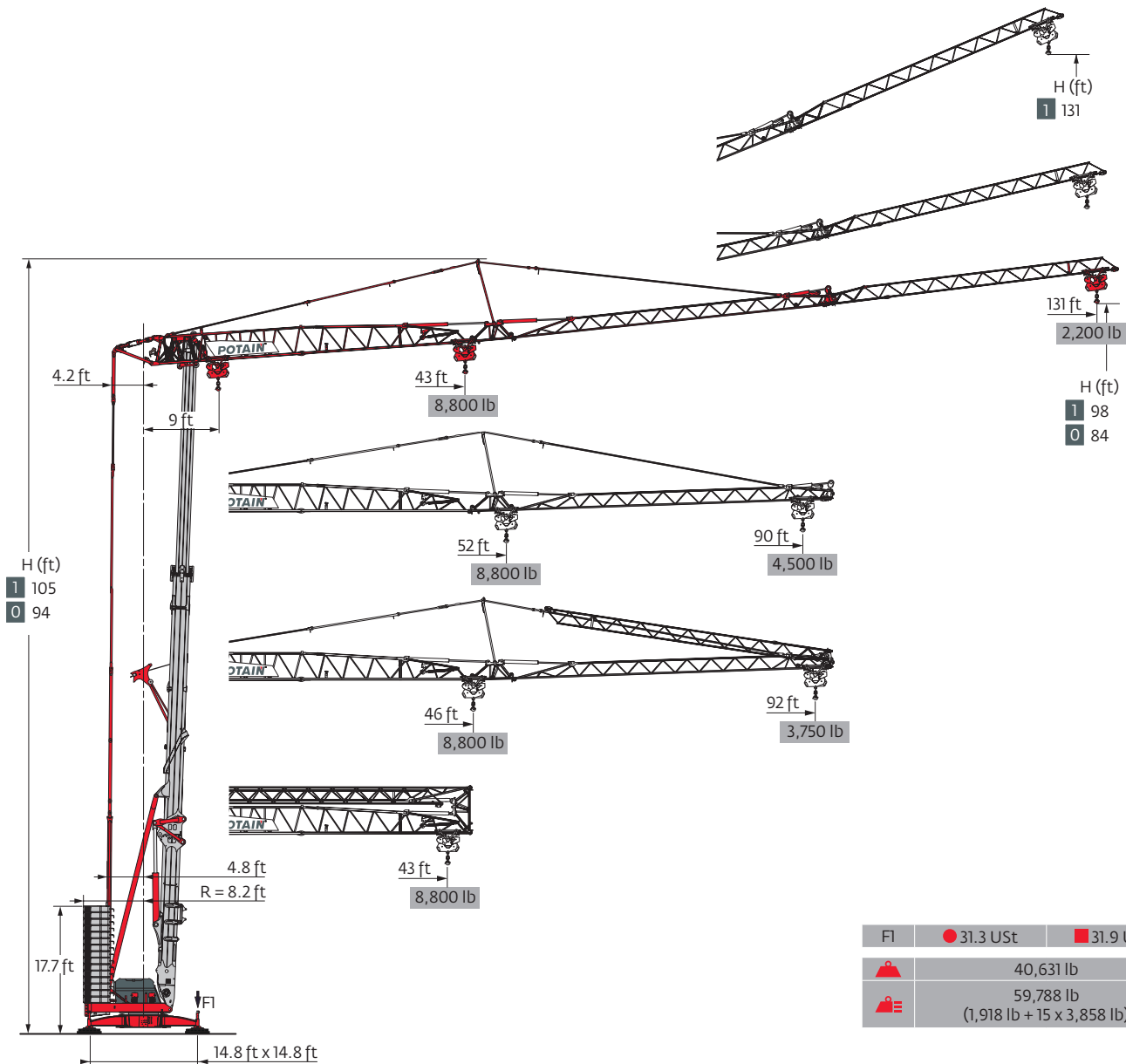


# Hup 40-30



F1	● 31.3 USt	■ 31.9 USt
	40,631 lb	
	59,788 lb (1,918 lb + 15 x 3,858 lb)	

Smart Set-up



Drive Control



Power Control



**CraneSTAR**  
Diag

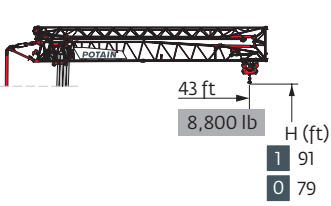
Top Site



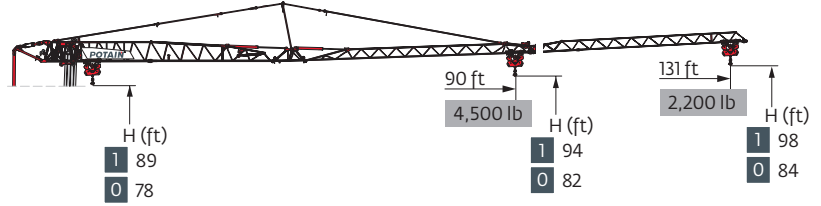
Top Tracing 3



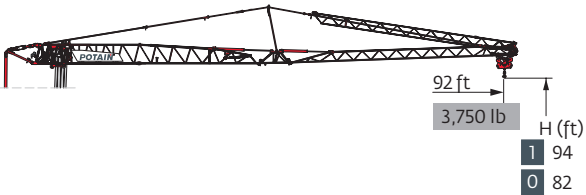
Load curves



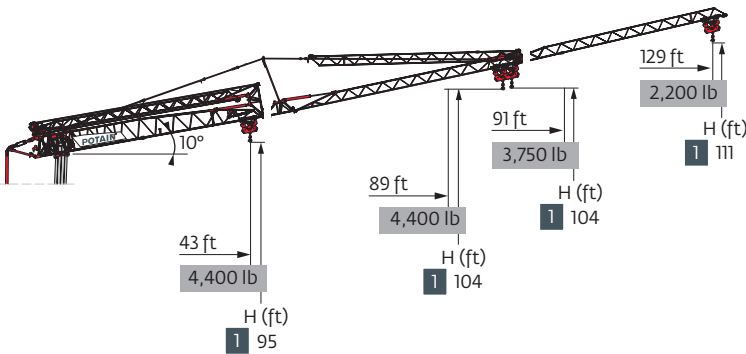
131 ft	9 ▶	43 ft	
▲▲▲	▼	8,800 lb	
90 ft	9 ▶	43 ft	
▲▲▲	▼	8,800 lb	



9 ▶	43	46	49	52	56	59	62	66	72	82	89	98	105	115	121	131	ft
	8,800	8,200	7,500	6,950	6,450	6,000	5,650	5,300	4,700	4,000	3,650	3,200	2,950	2,650	2,450	2,200	lb
9 ▶				52	56	59	62	66	72	82	90						ft
				8,800	8,050	7,500	7,000	6,600	5,900	5,050	4,500						lb

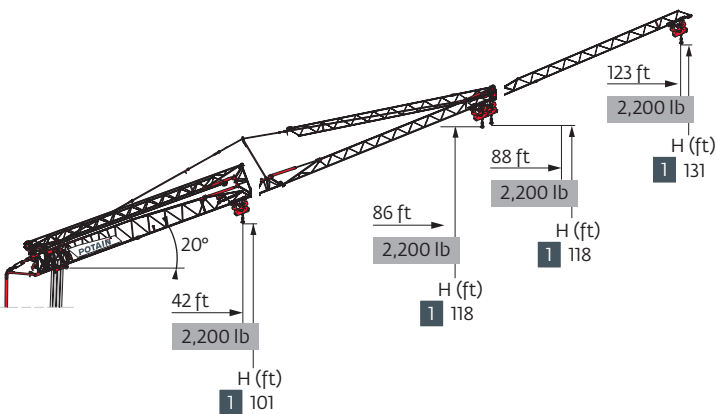


131 ft	9 ▶	46	49	52	56	59	62	66	72	82	89	92	ft
▲▲▲	▼	8,800	8,050	7,450	6,900	6,450	6,050	5,650	5,050	4,300	3,900	3,750	lb











131 ft	9 ▶	75	82	89	98	105	115	121	129	ft
▲▲▲	▼	4,400	3,900	3,550	3,100	2,850	2,550	2,400	2,200	lb
90 ft	9 ▶			89						ft
▲▲▲	▼			4,400						lb

131 ft	9 ▶	80	82	89	91	ft
▲▲▲	▼	4,400	4,250	3,850	3,750	lb
131-90 ft	9 ▶	43				ft
▲▲▲	▼	4,400				lb

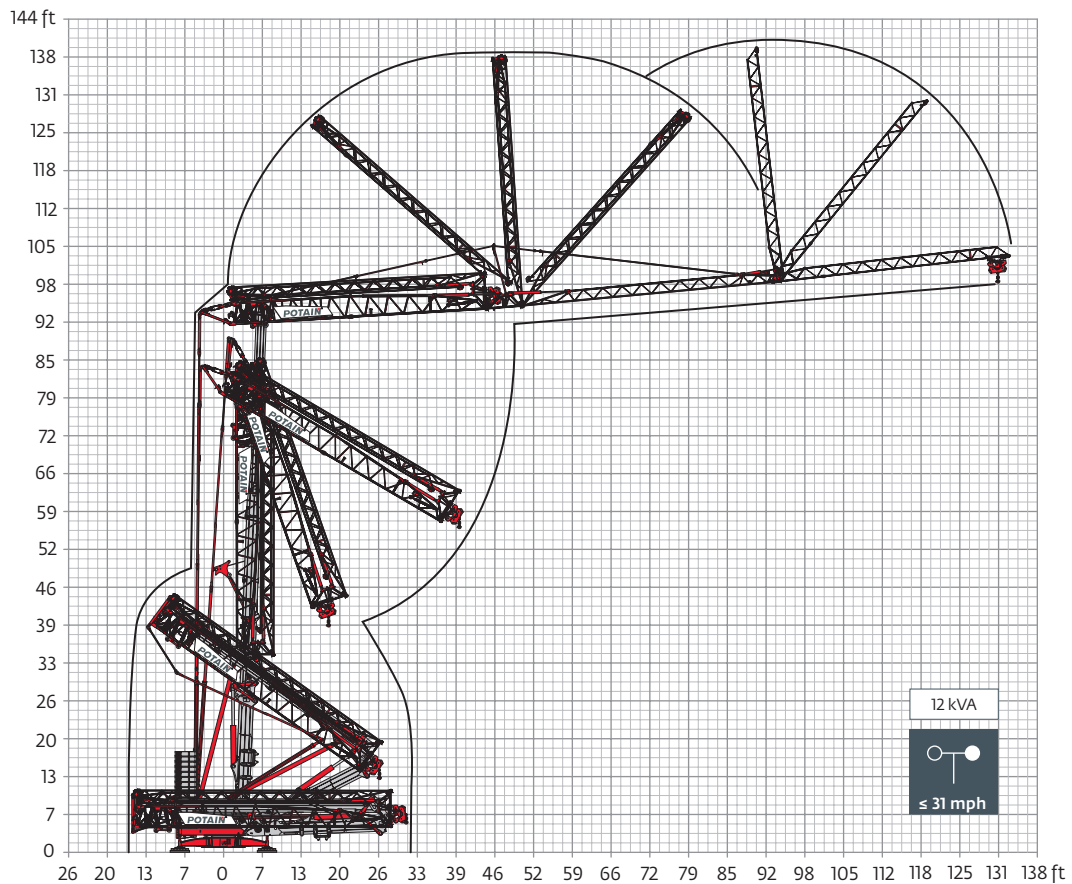


Mechanisms

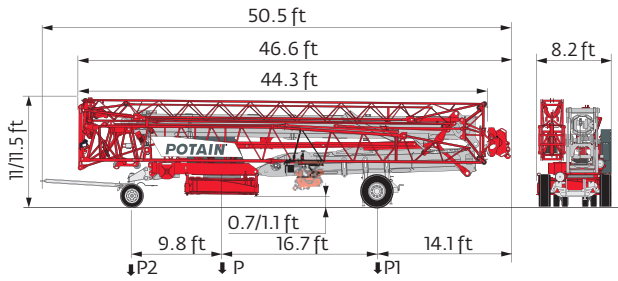
480 V - 60 Hz								hp	kW
	18 HPL™ 10	fpm	6	62	118	190	213	18	13
		lb	8,800	8,800	4,400	2,200	1,100		
	3 DVF 5	fpm	3 → 148 (0 → 2,200 lb) 3 → 135 (2,200 lb → 8,800 lb)					3	2.2
	HPS 142	rpm	0 → 0.9					2 x 5	2 x 3.7

 IEC 60204-32	 kVA	
480 V (+6% -10%) 60 Hz	23 → 17 kVA	

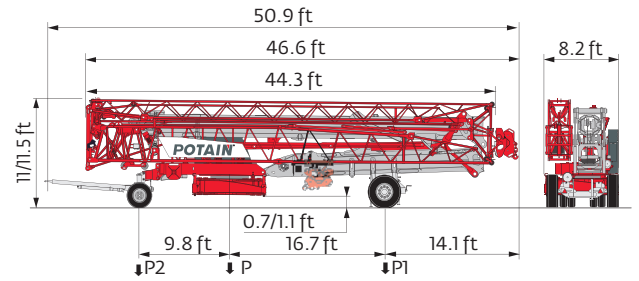
Erection



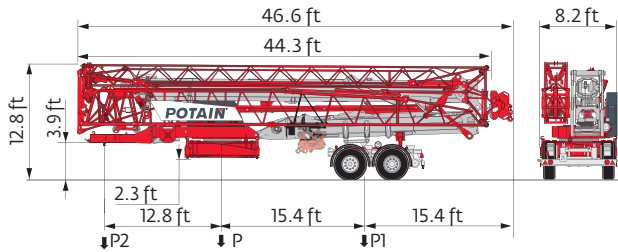
Transport



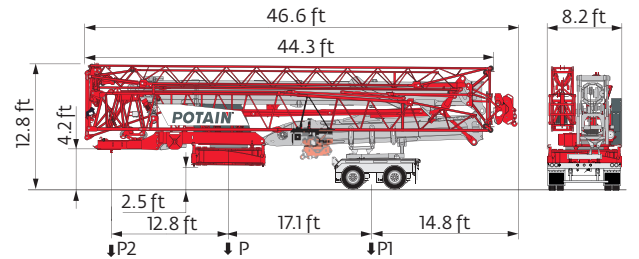
	mph	P (lb)	P1 (lb)	P2 (lb)
DJ100/S120	6	44,798	26,169	18,629
DJ105/S125	15.5	45,371	26,411	18,960



	mph	P (lb)	P1 (lb)	P2 (lb)
DJ126M/S125	15.5	45,812	26,455	19,357
..... /.....				



	mph	P (lb)	P1 (lb)	P2 (lb)
SL121/S215M	15.5	48,237	32,430	15,807



	P (lb)	P1 (lb)	P2 (lb)
North America Highway Axle	47,961	32,132	15,829

- R Rear slewing radius
- i Consult us
- Reactions in service
- Reactions out of service
- ⚖ Weight without load, without ballast, without transport axles, with max. jib and standard height
- ⚖ Total ballast weight
- Standard equipment
- Options
- Hoisting
- Trolleying
- Slewing
- kVA Required power

Power Control Function: winch speeds adapted to the available power

⚠ This commercial document is not legally binding. For any technical information, please refer to the corresponding instructions.

**RMC**  
 ROCKY MOUNTAIN CRANE  
 208-696-1476  
 14032 HWY 55  
 McCall, ID 83638  
[rockymtncranes.com](http://rockymtncranes.com)



© 2018 The Manitowoc Company, Inc.  
[www.manitowoc.com](http://www.manitowoc.com)